

C-SERIES C5000XL

The multi-directional forklift designed for the safe, space saving and productive handling of long and bulky loads.

COMBiLiFT

LIFTING INNOVATION

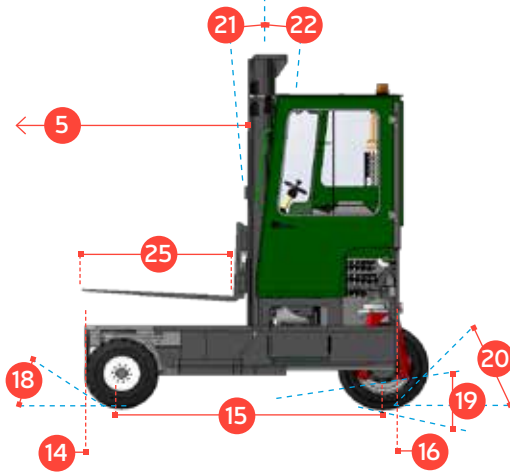


Wider Cab for increased Comfort

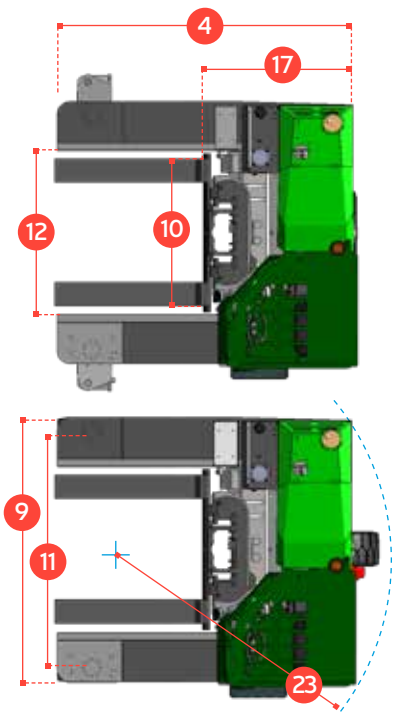
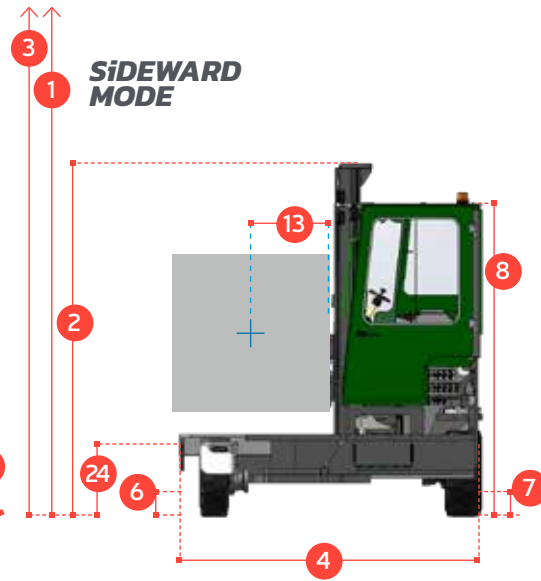


C-SERIES C5000XL

FRONTAL MODE

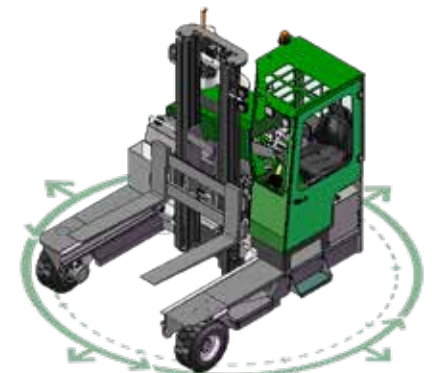


SIWARD MODE



| REF. | DESCRIPTION | STANDARD |
|------|--------------------------------------|----------|
| 1a | Standard Lift Height | 4040 mm |
| 1b | Free Lift Height | 0mm |
| 2 | Height Mast Closed | 2990mm |
| 3 | Max. (Mast Raised) | 5005mm |
| 4 | Overall Length | 2500mm |
| 5 | Mast Travel | 1340mm |
| 6 | Ground Clearance Under Mast | 280mm |
| 7 | Ground Clearance to Wheelbase Centre | 270mm |
| 8 | Height Over Cab or of Overhead Guard | 2590mm |
| 9 | Width | 2235mm |
| 10 | Outside Spread of Fork Arms | 1350mm |
| 11 | Track Front | 1995mm |
| 12 | Frame Opening | 1400mm |
| 13 | Load Centre Distance | 600mm |
| 14 | Overhang Front | 290mm |
| 15 | Wheel Base | 2070mm |
| 16 | Overhang Back | 140mm |
| 17 | Length from Face of Fork | 1300mm |
| 18 | Approach Angle | 45° |
| 19 | Ramp Angle | 29° |
| 20 | Departure Angle | 45° |
| 21 | Forward Tilt | 3° |
| 22 | Backward Tilt | 5° |
| 23 | Minimum Outside Radius | 2490mm |
| 24 | Platform Height | 680mm |
| 25 | Platform Length | 1200mm |

Multi-Directional



Features Include:

- Rubber Mounted Half Open Cabin
- Multi-Direction Operation
- 3 Wheel Hydrostatic Drive
- Load Sensing Steering
- 4 Way Lever Positioning of Wheels
- Hydraulic Oil Cooler

Distributed by:

European Patent No. 2167416; Brazilian Patent No. P10811954-6; Australian Patent No. 2008253242

COMBILIFT HAS A POLICY OF CONTINUOUS PRODUCT DEVELOPMENT AND RESERVES THE RIGHT TO ALTER SPECIFICATIONS WITHOUT PRIOR NOTICE. SPECIFICATIONS AND/OR DIMENSIONS MAY VARY FROM THOSE ILLUSTRATED IN SOME COUNTRIES.