

AM Stand-On

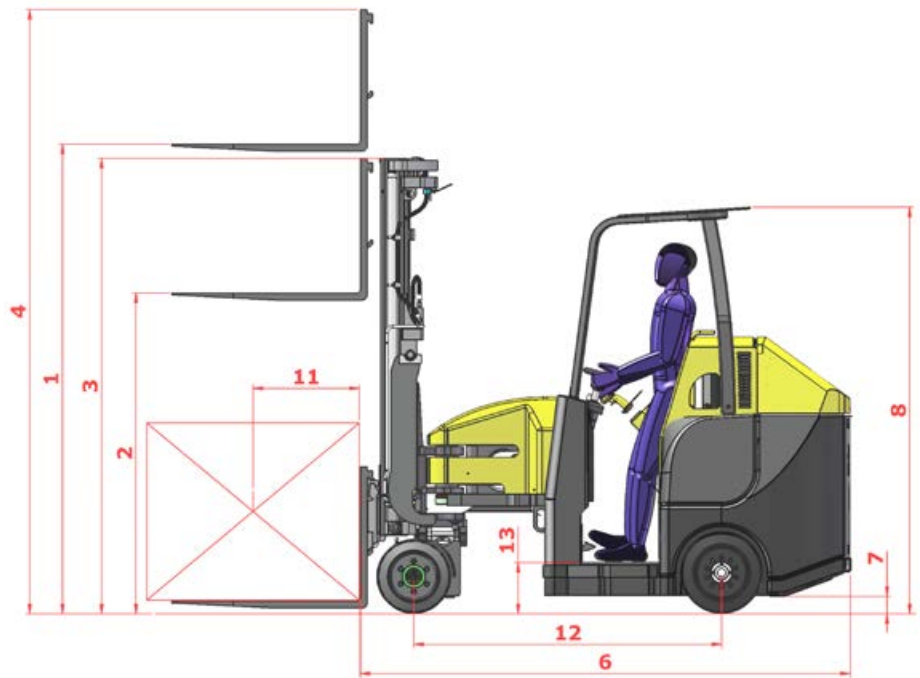
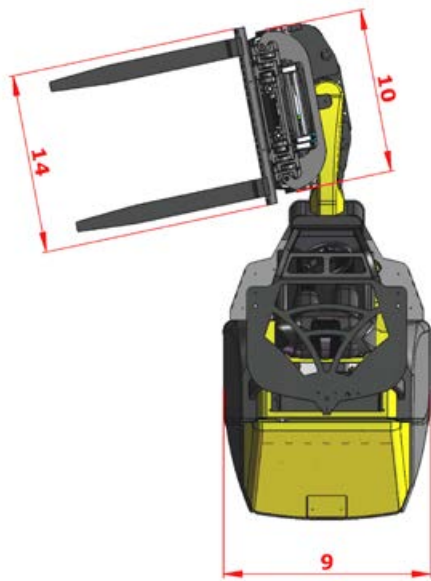
The Aisle-Master AM Stand-On is the perfect articulated forklift for order picking in narrow aisles and is designed for operator comfort and ease of access

AiSLE MASTER

LIFTING INNOVATION



AM Stand-Up



Ref.	Description MODEL	20SOE Metric	20WSOE Metric	44SOE Imperial	44WSOE Imperial
1	Lift height	4750 mm	7050mm	187"	278"
2	Free Lift Height	1515 mm	2435mm	59"	96"
3	Height Mast Closed	2415	3335mm	96"	131"
4	Height Mast Raised	5624mm	7924mm	221"	312"
5	Mast Range	4300-9050mm	4300-11000mm	169" - 356"	169" - 433"
6	Overall length	2780 mm		109"	
7	Ground Clearance	87 mm		3.5"	
8	Overhead Guard Height	2286 mm		90"	
9	Chassis width - rear	1220mm	1400 mm	48"	55"
10	Chassis width - front	980 mm		39"	
11	Load Centre	600 mm		24"	
12	Wheel Base	1733 mm		68 1/4"	
13	Step Height	280mm		11"	
14	Fork Carriage Width	980 mm		39"	
15	Mast Tilt (Back/Fwd)	3 // 1 Degrees			
16	Capacity	2000 kg		4400 lbs	
17	Ground Speed	8 Km/h		5mph	
18	Lift Speed - Laden / Unladen	0.4 / 0.5 m/s		1.3 / 1.6 ft/s	
19	Front tyre size	412 x 174mm		16 1/4" x 7"	
20	Rear tyre size	457 x 203mm	457 x 228mm	18" x 8"	18" x 9"
21	Gradeability - Laden/Unladen	12% / 15%		12% / 15%	
22	Battery Voltage/Capacity	48V / 775 / 930Ah		48V / 775 / 930Ah	
23	Truck weight less battery	5800 kg	6165 kg	12760 lbs	13563 lbs
24	Truck weight including the battery	6900 kg	7500 kg	15180 lbs	16500 lbs



Features Include:

- AC Technology
- Joystick Traction & Mast Controls
- Entry / Exit from Both Sides
- Hydraulic Steering
- Spring Applied Parking Brake
- 205 Articulation

Distributed by:

European Design Registration No. 002676809-0001 US Design Application No. 29/541,841

COMBILIFT HAS A POLICY OF CONTINUOUS PRODUCT DEVELOPMENT AND RESERVES THE RIGHT TO ALTER SPECIFICATIONS WITHOUT PRIOR NOTICE. SPECIFICATIONS AND/OR DIMENSIONS MAY VARY FROM THOSE ILLUSTRATED IN SOME COUNTRIES.